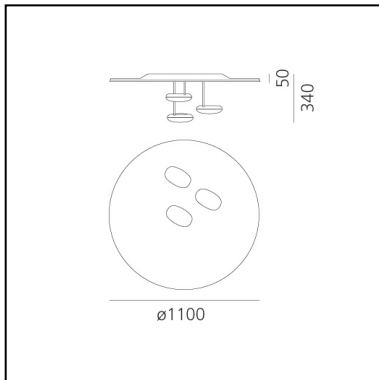


# Droplet Ceiling

Ross Lovegrove



IP20     Dimmerable: 



## LUMINAIRE

- Watt: **480W**
- Voltage: **220V-240V**
- Delivered lumens output: **4274lm**
- CCT: **2950K**
- Efficiency: **43%**
- Efficacy: **8.9lm/W**
- CRI: **99**

## DESCRIPTION

Lamp available in suspension and ceiling versions. "Droplet is a ceiling light that appears as a pool of liquid aluminium reflecting two light pebbles. It has been generated totally by digital means and freezes in time the act of ripples that cross each other to define reflective zones and acting as a form of liquid dichroic." Materials: die-cast aluminium lighting units; die-cast aluminium reflector.

**PRODUCT CODE: 1398010A**

## FEATURES

- Article Code: **1398010A**
- Colour: **Polished chrome / Aluminium**
- Installation: **Ceiling**
- Material: **Aluminium, steel**
- Series: **Design Collection, Hydro**
- Environment: **Indoor**
- Emission: **Indirect**
- design by: **Ross Lovegrove**

## DIMENSIONS

- Height: **cm 32**
- Diameter: **cm 110**
- Impact Resistance: **N/D**
- Glow Wire Test: **960°**

## NOT INCLUDED SOURCES

- Category: **HALO**
- Number: **3**
- Lbs: **Qt-de12**
- Watt: **160W**
- Socket: **R7s**
- Color Rendering: **1a**
- Color temperature (K): **2950K**
- Duration (h): **2000h**

## ALTERNATIVE SOURCES

- Category: **LED RETROFIT**
- Number: **3**
- Watt: **11w**
- Delivered lumens output: **1110lm**
- Socket: **R7s**