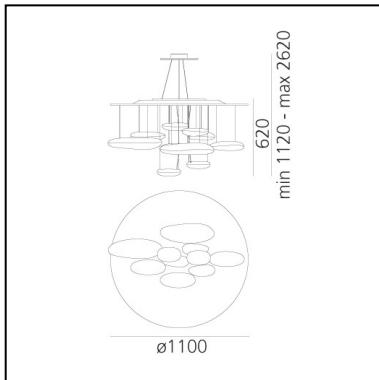


# Mercury Suspension LED 3000K

Ross Lovegrove



IP20       Dimmerable: 



## LUMINAIRE

- Watt: **58W**
- Voltage: **220V-240V**
- Delivered lumens output: **3094lm**
- CCT: **3000K**
- Efficiency: **54%**
- Efficacy: **53.34lm/W**
- CRI: **90**
- Dimmable Typology: **Push**

## Notes

Its modular shape lends itself to the creation and realisation of customized compositions, supplied as special project.

## DESCRIPTION

A ceiling fixture that places a floating assembly of large pebbles below a simple modern aluminium disc. These in turn reflect each other bouncing light between their taugth bio - morphic surfaces and reflecting the environment around them. During the day the piece acts as a sculptural object reflecting the dynamics of natural light and the movement of people around them. Die-cast aluminium lighting units; reflective units made of injection-moulded thermoplastic material with metallic finish; stainless steel reflector. Dimmable (SwitchDim).

**PRODUCT CODE: 1367110A**

## FEATURES

- Article Code: **1367110A**
- Colour: **Polished chrome**
- Installation: **Suspension**
- Material: **Aluminium, ABS, steel**
- Series: **Design Collection, Hydro**
- Environment: **Indoor**
- Area contract: **Hospitality, Office, Residential**
- Emission: **Indirect**
- design by: **Ross Lovegrove**

## DIMENSIONS

- Height: **cm 60**
- Diameter: **cm 110**
- Max Height from ceiling: **cm 200**
- Glow Wire Test: **650°**

## SOURCES INCLUDED

- Category: **Led**
- Number: **2**
- Watt: **23.62W**
- Delivered lumens output: **2840lm**
- Color temperature (K): **3000K**
- CRI: **90**
- Color Tolerance: **MacAdam 2SDCM**
- Efficacy: **120lm/W**
- Service Life: **50000-L70**